

More Precision.



DD241PC - Process displays for analogue sensor

- Display 6-digits
- Connection: One-channel analogue sensor
- With peak value memory

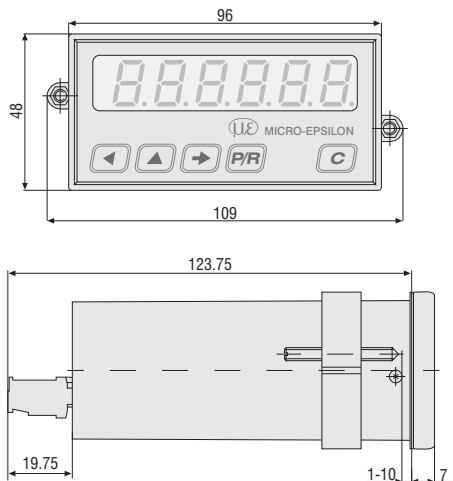
Additional equipment model DD241PC(01)

- Interface RS232
- Two limits as relay output

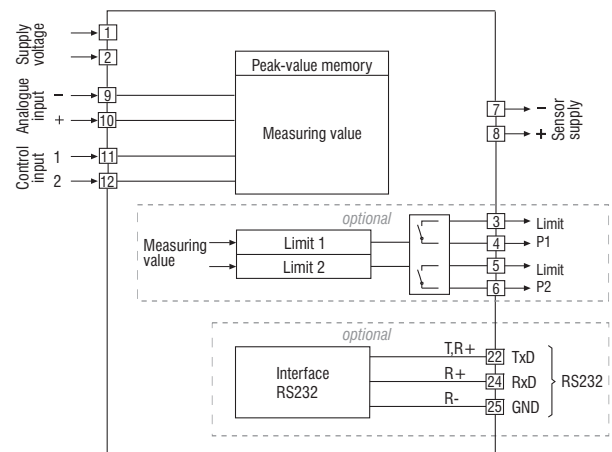


DD241PC is a single channel process display for analogue sensors. Each sensor with analogue signal between 0 ... 20mA can be connected. Two programmable limits are used to monitor tolerance limits. Typical applications are distance surveillance to a measurement object or control, if two objects lay on top of each other in production line.

Dimensions (Dimensions in mm, not to scale.)



Block circuit diagram



Technical data

Technical data - electrical ratings	
Power supply	12...30 VDC
Power consumption	6 VA, 4 W
Sensor supply	12...26 VDC / max. 80 mA
Display	LED, 7-segment display
Number of digits	6-digits
Digit height	14 mm
Function	Digital display of 1 analogue measured value; peak value memory (slave pointer)
Measuring principle	Analogue, resolution 12 bit
Input logic	PNP
Control inputs	2 Inputs
Control functions	Hold, Reset, Keylock, etc.
Data memory	> 10 years in EEPROM
Analogue input	0(4)...20 mA; resolution 12 Bit; temp. coeffic. typ. ± 20 ppm/°C
Outputs relay	Normally open or closed, programmable (optional)
Interfaces	RS232 (optional)
Standard DIN EN 61010-1	Protection class II; overvoltage category II; pollution degree 2
Emitted interference	DIN EN 61000-6-3
Interference immunity	DIN EN 61000-6-2
Programmable parameters	2 limits (optional), analogue input; control inputs; offset (maximum and minimum analogue limit)
Approvals	UL/cUL, CE conform
Technical data - mechanical design	
Temperature	Operating: -10...+50 °C; storing: -20...+70 °C
Relative humidity	80 % non-condensing
Core cross-section	1.5 mm ²
Protection DIN EN 60529	IP 65 face with seal
Operation / keypad	Membrane with softkeys
Housing type	Housing for control panel installation
Dimensions	W x H x L 96 x 48 x 124 mm
Cutout dimensions	94 x 45 mm (+0.6)
Installation depth	123.75 mm
Mounting	Front panel installation by clip frame
Weight	Approx. 350 g (AC), 250 g (DC)
Material housing	Makrolon 6485 (PC)